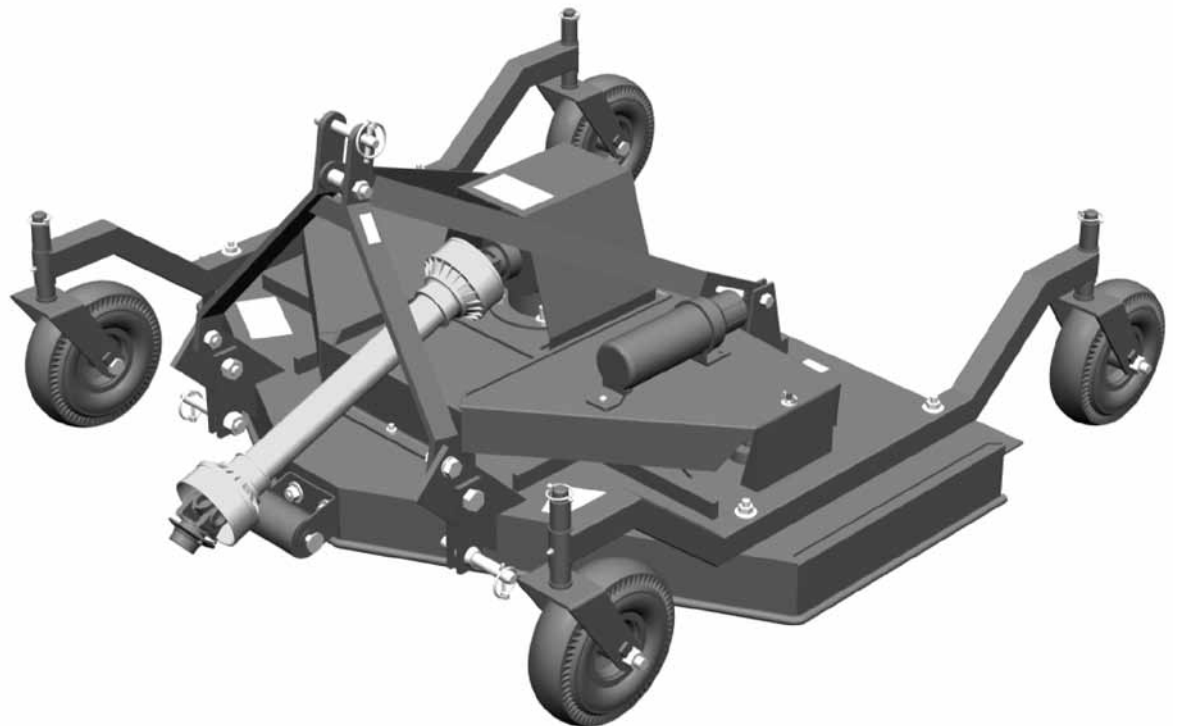


# Farm King

## OPERATOR AND PARTS MANUAL

### Finishing Mower





## Table of Contents

<b>Introduction .....</b>	<b>5</b>
<b>Safety.....</b>	<b>6</b>
• Safety Instruction .....	6
• General Safety .....	7
• Start-up Safety .....	7
• Operation Safety .....	7
• Transport Safety .....	7
• Service and Maintenance Safety .....	8
• Storage Safety .....	8
• Safety Signs .....	8
• Safety Sign Installation .....	8
<b>Assembly.....</b>	<b>10</b>
• Hitch Assembly Instructions.....	10
• Wheel Assembly Instructions .....	10
<b>Start-Up.....</b>	<b>10</b>
• Machine Break-in .....	10
<b>Operation .....</b>	<b>11</b>
• Connecting to Tractor.....	11
• Field Use Preparation .....	11
• Field Operation.....	12
• Disconnecting from Tractor.....	12
• Rear Discharge Mower Chain Kit Assembly .....	12
• Quick Hitch.....	13
• Theory of Operation .....	13
<b>Maintenance .....</b>	<b>15</b>
• Service .....	15
<b>Bolt Torque .....</b>	<b>17</b>
• Checking Bolt Torque .....	17

<b>Part Drawings.....</b>	<b>18</b>
• Side Discharge Drawing.....	18
• Side Discharge Parts List.....	19
• 4' Rear Discharge .....	22
• 4' Rear Discharge Parts List.....	23
• 5', 6' & 7' Rear Discharge Drawing .....	26
• 5', 6' & 7' Rear Discharge Parts List .....	27
• Gearbox Drawing.....	30
• Gearbox Parts List.....	31
• Spindle Assembly Drawing.....	32
• Spindle Parts List .....	33
• PTO Shaft Drawing .....	34
• PTO Shaft Parts List .....	35
• Chain Kit Assembly Drawing .....	36
• Rear Discharge Chain Kit Parts List .....	37
• Quick Hitch Kit Drawing.....	38
• Quick Hitch Kit Parts List.....	39
<b>Shipping Kit and Bundle Numbers .....</b>	<b>40</b>
<b>Warranty .....</b>	<b>42</b>

**Manufacturer's statement:** for technical reasons Buhler Industries Inc. reserves the right to modify machinery design and specifications provided herein without any preliminary notice. Information provided herein is of descriptive nature. Performance quality may depend on soil fertility, applied agricultural techniques, weather conditions and other factors.

## Introduction

---

Farm King has been building top quality finishing mowers for 15 years and has refined these mowers to be among the best in the industry. Manufactured with top quality material, the edge of the mower deck features solid reinforcing rods. These Finishing Mowers are Farm King Quick Hitch compatible and are available in widths ranging from 48" to 84".

Each mower features three high-speed blades with one of the highest rated tip-speeds in the industry. This creates powerful suction that lifts the grass for a crisp cut. A blade overlap of 1-5/8" to 2-5/8" prevents stripping and ensures the lawn is mowed evenly.

Farm King Finishing Mowers are built to be durable and long lasting. Pneumatic tires with puncture proof sealant are standard. Each wheel yoke assembly includes a cutting height adjustment on the 1" wheel yoke shaft. Bushings in the wheel hubs ensure long-term reliability without needing frequent lubrication. A slide adjustment is located under the gearbox for easy belt tensioning.

Keep this manual handy for frequent reference. All new operators or owners must review the manual before using the equipment and at least annually thereafter. Contact your Farm King Dealer if you need assistance, information, or additional copies of the manual. Visit our website at [www.buhlerindustries.com/](http://www.buhlerindustries.com/) for a complete list of dealers in your area.

The directions left, right, front and rear, as mentioned throughout this manual, are as seen facing in the direction of travel of the implement.

## Safety

---

### Safety Instructions

Remember, YOU are the key to safety. Good safety practices not only protect you, but also the people around you. Make these practices a working part of your safety program. Be certain that everyone operating this equipment is familiar with the recommended operating and maintenance procedures and follows all the safety precautions. Most accidents can be prevented. Do not risk injury or death by ignoring good safety practices.

The alert symbol is used throughout this manual. It indicates attention is required and identifies hazards. Follow the recommended precautions.



The safety alert symbol means...  
**ATTENTION! BECOME ALERT! YOUR SAFETY IS INVOLVED!**



#### CAUTION

The caution symbol indicates a potentially hazardous situation that, if not avoided, may result in minor or moderate injury. It may also be used to alert against unsafe practices.



#### WARNING

The Warning Symbol indicates a potentially hazardous situation that, if not avoided, could result in death or serious injury, and includes hazards that are exposed when guards are removed. It may also be used to alert against unsafe practices.



#### DANGER

The Danger Symbol indicates an imminently hazardous situation that, if not avoided will result in death or serious injury. This signal word is to be limited to the most extreme situations, typically for machine components that, for functional purposes, cannot be guarded.

## General Safety Instructions

- Have a first-aid kit available for use and know how to use it. Have a fire extinguisher available, stored in a highly visible location, and know how to use it.
- Wear appropriate protective gear. This list may include but is not limited to:
  - hard hat
  - protective shoes with slip resistant soles
  - protective glasses or goggles
  - heavy gloves
  - wet weather gear
  - hearing protection
  - respirator or filter mask
- Read and understand the Operator's Manual and all safety signs before operating, servicing, adjusting, repairing, or unplugging the equipment.
- Do not attempt any unauthorized modifications to your Farm King product as this could affect function or safety, and could affect the life of the equipment.
- Never start or operate the mower except from the operator's station on the power unit.
- Inspect and clean the working area before operating.
- Keep hands, feet, clothing, and hair away from moving parts.
- Ensure bystanders are clear of the area before operating.

## Start-up Safety

- Do not let inexperienced operators or children run this equipment.
- Place all tractor and machine controls in neutral before starting.
- Operate only with ROPS and seatbelt equipped tractors.
- Do not operate inside a building unless there is adequate ventilation.
- Ensure all shields are in place and in good condition before operating.
- Stay clear of PTO shaft and machine when engaging PTO.

## Operation Safety

- Do not permit riders.
- Do not wear loose fitting clothing during operation.
- Never operate over 540 PTO rpm speed.
- Never operate the equipment in the raised position.

## Transport Safety

- Review Transport Safety instructions in tractor manual before moving.
- Check with local authorities regarding transport on public roads. Obey all applicable laws and regulations.
- Make sure the SMV (Slow Moving Vehicle) emblem and all the lights and reflectors that are required by the local highway and transport authorities are in place, are clean, and can be seen clearly by all overtaking and oncoming traffic.
- Never have the equipment in operation during transport.
- Always travel at a safe speed.
- Inflate transport tires to recommended pressure.

## Service and Maintenance Safety

- Stop engine, set brake, remove ignition key, and wait for all moving parts to stop before servicing, adjusting, repairing, or unplugging.
- Support the equipment with blocks or safety stands before working beneath it.
- Follow good shop practices including:
  - keep service area clean and dry
  - be sure electrical outlets and tools are properly grounded
  - use adequate light for the job.
- Use only tools, jacks, and hoists of sufficient capacity for the job.
- Replace and secure all shields removed during servicing before operating.
- Use heavy leather gloves to handle sharp objects.
- Failure to follow proper procedures when mounting a tire on a wheel or rim can produce an explosion, which may result in serious injury or death.

## Storage Safety

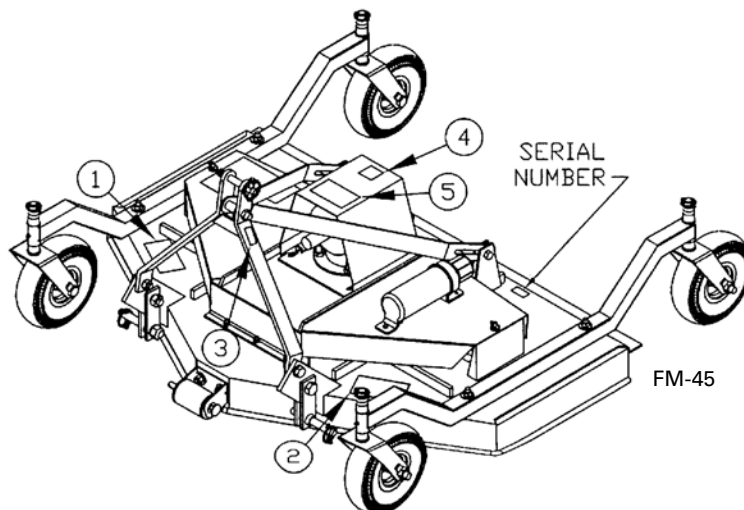
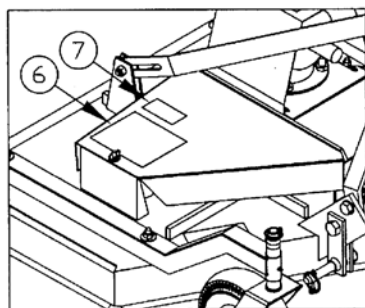
- Store the unit in an area away from human activity.
- Do not permit children to play on or around the stored machine.
- Support the frame on stands and blocks to provide a secure base.

## Safety Signs

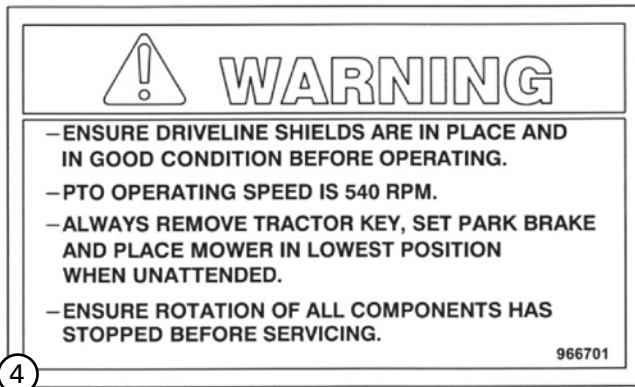
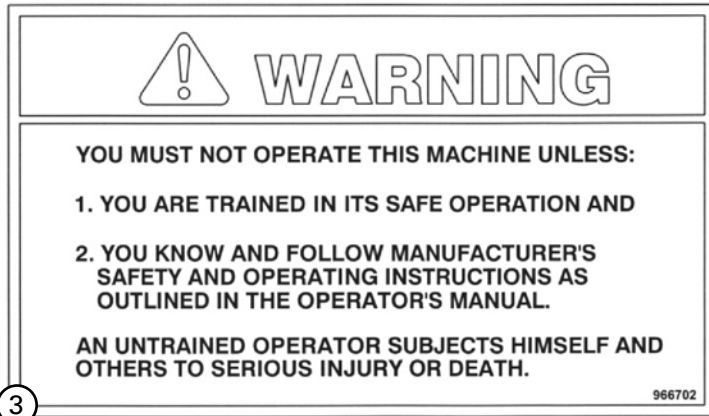
- The following illustration shows the approximate location and detail of safety signs.
- Keep all safety signs clean and legible and replace any that are damaged or missing.
- When original parts are replaced, any safety signs affixed to those parts should be replaced as well. Replacement safety signs are available from your local dealer.

## Installation

- To install safety signs, ensure the installation area is clean and dry. Decide on the exact position before you remove the backing paper. Remove the smallest portion of the split backing paper and align over the specified area. Carefully press in place.
- Slowly peel back the remaining paper and smooth the remaining portion in place. Small air pockets can be pierced with a pin and smoothed out.



- Replace safety signs immediately should they become damaged, torn or illegible. Obtain replacements from your authorized dealer using the part numbers shown.



## Assembly Instructions

---

### Hitch Assembly Instructions

1. The hitch is assembled except for the two pivot bars (#70). Bolt one end of each pivot bar between the welded brackets at the back of the deck using the bolts assembled in the mower.
2. Remove the 3/4" bolt (#64) at the top of the hitch weldment. Using the same bolt, assemble with the pivot bars between the hitch weldment (#38).

### Wheel Assembly Instructions

3. The wheel and tire assemblies (Side FM - #65, Rear FM - #67) are shipped in a separate carton. Remove the wheel bolts (Side FM - #52, Rear FM - #55) from the four wheel yokes (Side FM - #47, Rear FM - #54). Assemble the wheels using bolt and lock nut. Grease wheels and wheel yokes before using for the first time.

## Start-up

---

### Machine Break-in

- The following items should be checked when the implement is used for the first time:  
Before operating:
  - Lubricate all grease points.
  - Remove plug in gearbox, and fill with oil to plug level.
- After operating for 1/2 hour or after completing 1/2 acre (0.2 ha), stop the engine and set the brake:
  - Check all nuts, bolts, and other fasteners. Tighten to their specified torque level.
  - Check that the blades are in good condition and bolted securely to the spindle.
  - Check that the PTO driveline shield turns freely.
  - Lubricate all grease points.
  - Check the oil level in the gearbox. Add as required.
- After operating for 5 hours and after operating for 10 hours:
  - Repeat the items above.
- After these initial checks, refer to the Maintenance section of this manual for regular maintenance intervals.

## Operation Instructions

---

The Finishing Mower is designed to be used on a tractor with a standard category 1 three-point hitch. See the specification sheet for horsepower requirements. Using excessive power will shorten the life of the drive train components.

### Connecting to Tractor

Park the mower and tractor on a level dry area free of debris and foreign objects.

1. Slowly back the tractor up to the machine.
2. Adjust the three-point arms to align with the mower lift pins.
3. Stop the tractor, set the parking brake and remove the ignition key before dismounting.
4. Slide the three-point arms on the lift pins and lock in place with the clips supplied.
5. With the tractor engine shut off, attach the PTO shaft. Both ends of the PTO have a standard 6-spline end with a spring-loaded locking collar. Turn the round collar at the ends of the PTO clockwise to slide onto the splined shafts. The spring-loaded pin in the PTO yoke must lock into the groove on the splined shaft on the gearbox and tractor. Always check to see that both ends of the PTO shaft are securely attached every time the mower is used. This should always be done with the tractor engine shut off. Attach the safety chains supplied with the PTO shaft, allowing sufficient slack for the driveline during turns and operation. Check booklet attached to the PTO for instructions.  
**NOTE:** At least one third of the telescoping length of the PTO should overlap when the mower is in operation.
6. Attach the top link on the tractor to the link pin assembled in the hitch weldment (#45). Adjust the turnbuckle on the tractor top link so that the upper lift bracket hangs straight down with the tractor and mower both on level ground

### Field Use Preparation

- Read and understand the Operator's Manual and all safety signs before operating.
- The implement and tractor should be on a dry level area, clear of debris.
- Lower the three point arms on the tractor so they line up with the mounting pins on the implement.
- Stop the engine and set the brake.
- Mount the lower lift pins first and then adjust the implement angle using the turnbuckle on the top link. Check that all the clips holding the three point pins are securely in place.
- Start the engine, and raise the implement slightly.
- Adjust the sway blocks or chains on the tractor so the mower is centered between the rear wheels.
- Adjust the three-point hitch arms to level the implement from side to side.
- Adjust the turnbuckle on the top of the three-point hitch arms to level the implement from front to back.
- Adjust the cutting height using the wheel spacers on the wheel yokes. The spacers should be set at the same height on all four wheels.
- Check for proper air pressure in tires.
- Check tightness of belts, bolts, and other hardware.

- Check blades to see if they are damaged. Sharpen or replace blades if necessary.
- Check that blade bolts are tight.
- Clear the working area of foreign objects and check that all bystanders are standing clear before starting.
- Start the tractor with the mower resting on the ground on all four wheels.
- Slowly engage the PTO and bring the speed up to 540 PTO rpm for cutting.

## Field Operation

1. The mower works best on dry grass. Slower cutting speed and occasional cleaning may be required on damp or wet grass.
2. The PTO must run at the full 540 PTO rpm for a good cut. Slower speeds or double cutting could be required for very high grass.
3. Use a higher blade setting for rough areas to prevent scalping of the surface.
4. Always cut counter-clockwise so grass clippings are thrown on the grass already cut. This saves power and wear on the blades.
5. Sharpen blades if grass tears instead of cutting cleanly.
6. Slow down when cutting corners. Turning too sharply on corners can leave a small strip of grass uncut.

## Disconnecting from Tractor

1. Park on a firm level area and clean the mower.
2. Lower the mower until the load is off the hitch arms.
3. Disconnect the hitch arms and the PTO shaft.
4. Cover the mower for storage to prevent rust.

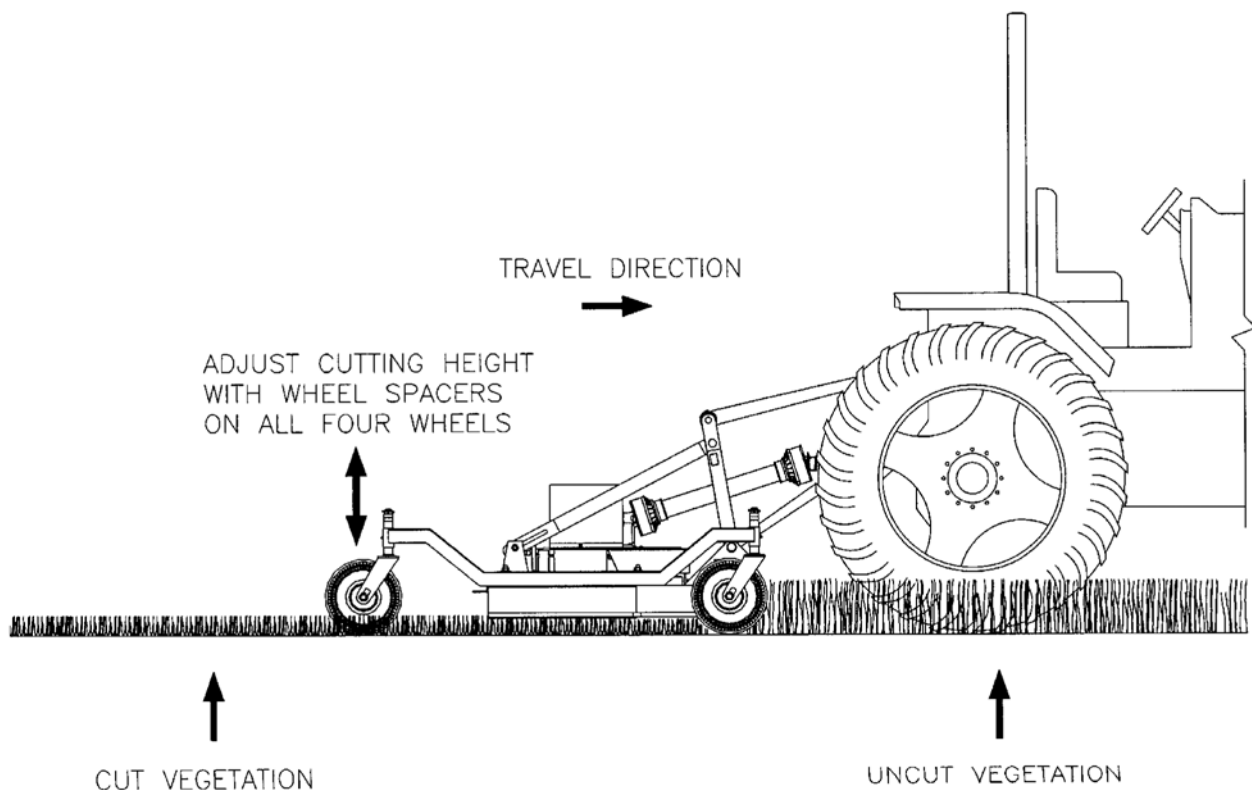
## Rear Discharge Mower Chain Kit Assembly

1. With the narrow lip of the chain guard plate (#2) turned up, push an end link of a 3-link chain up through the slot nearest the end of the guard plate. The chain rod (#3) slides through the chain link along the top surface of the chain guard plate. Slide through each chain in order along the entire guard plate. Slide a flat washer on each end of the rod. Hold the assembly in place with a 1/8" x 1" cotter pin (#8) at both ends of the rod.
2. A 5/8" long spacer (#6) fits between the guard plate and the rear lip on the deck. These spacers must be centered on the holes in the guard plate and the rear lip on the deck. With the spacers in place, position the chain guard assembly under the lip on the deck. Clamp on assembly to hold in place. Bolt guard plate assembly to the deck using 3/8" x 1-1/2" bolts, lock washers and hex nut.

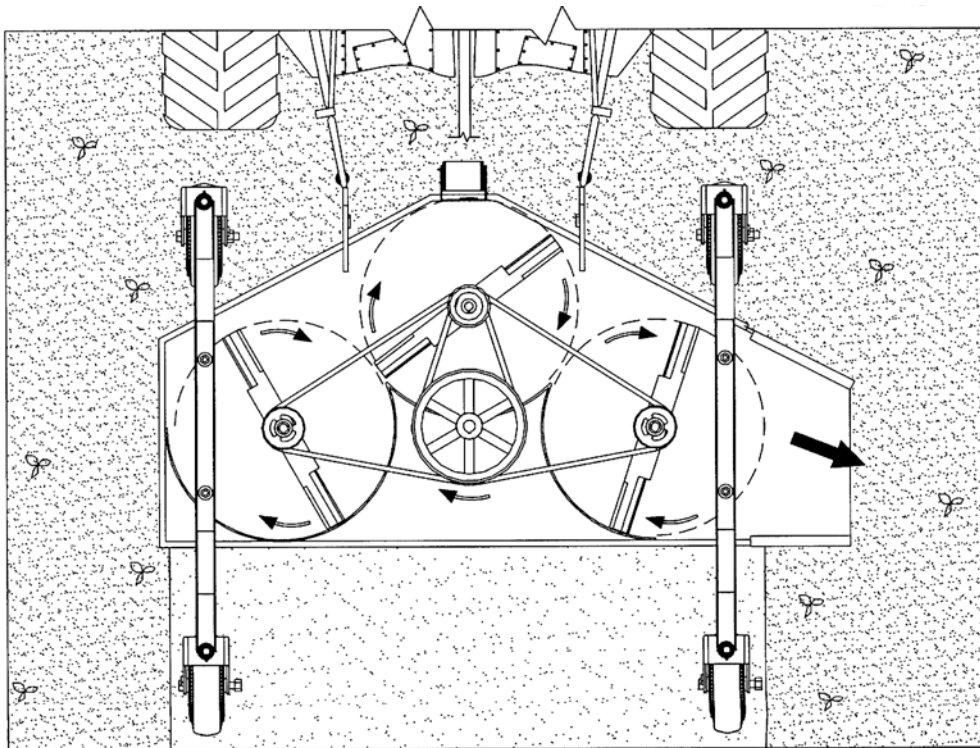
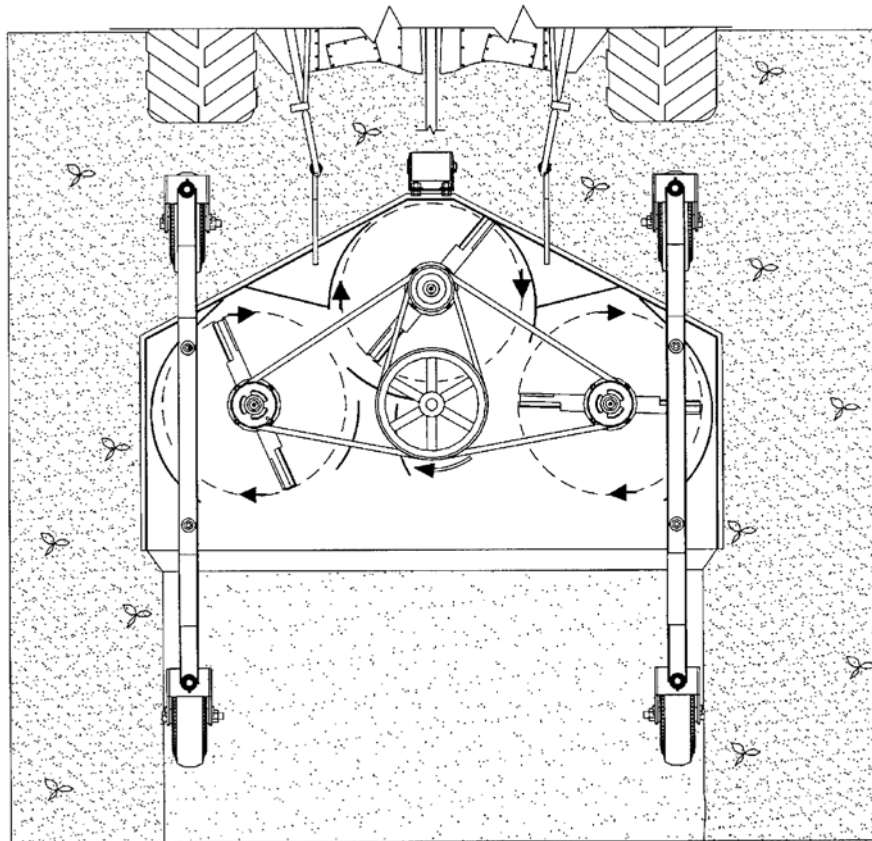
## Quick Hitch

1. Remove the two sets of lift brackets with the lower lift pins from the mower hitch arms (#4).
2. Bolt the adaptor plates (#13) to the outside of the hitch arms welded to the deck. Turn the plates as shown in drawing. Use the 3/4" x 2-1/2" bolts and bushings in the 1" holes. The 5/8" x 2" bolts holding on the a-frame weldment are removed and replaced with 2-1/2" bolts (#3) which also fit through the adaptor plates. The bushings already in the A-frame must remain in place.
3. Assemble the two quick hitch arms (#4) on the inside of the adaptor plates using the lift pins with the swivel bushings from step one at the bottom. The A-frame and the quick hitch arms are connected at the top using an adaptor weldment (#11). With the welded bushings on the adaptor facing down, the A-frame is attached using the top link pin (#9). The hitch arms (#4) are bolted on using a 3/4" x 4-1/2" bolt (#1) which fits through a 2-3/8" spacer (#12).

## Theory of Operation



FM-64



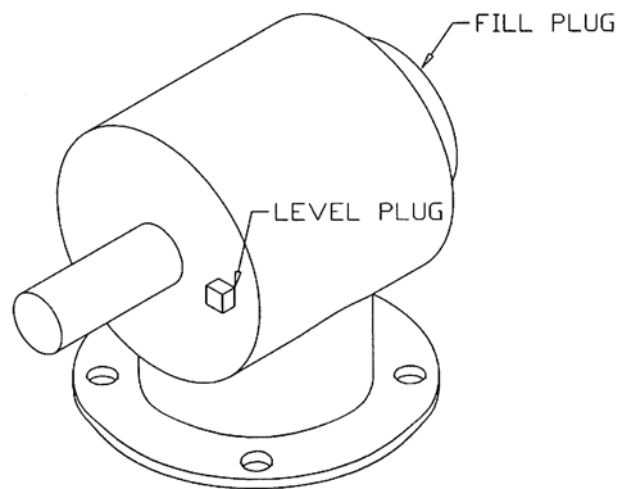
FM-66

## Maintenance

---

### Service

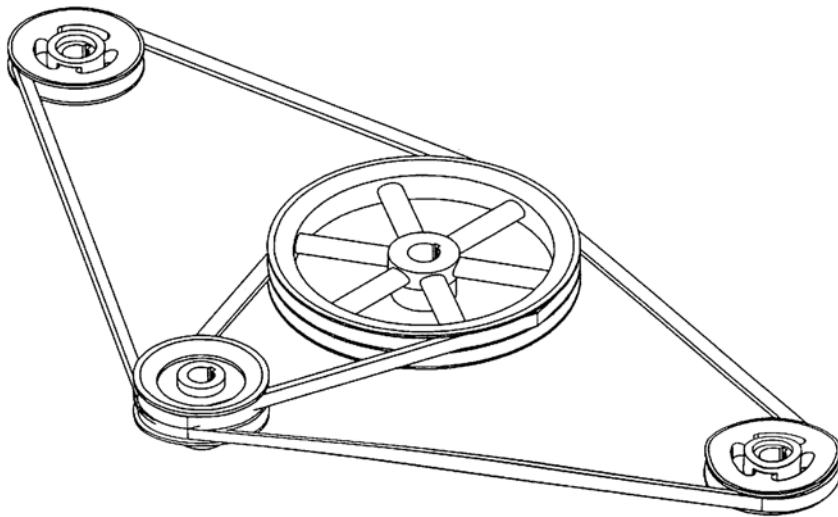
1. Gearbox: The gearbox should be filled with SAE 90 oil to the bottom of level plug when shipped. Check the mower before using and at regular intervals (approx. every 40 hours). See that this oil level is maintained.



FM-60

2. Grease: Grease wheel yokes, wheel bushing and PTO u-joints approximately every 8 hours. Before using the mower for the first time, grease wheel bushings until you can see the grease squeezed out at the ends of the wheel hub. Lubricate the telescoping PTO tube and the quick release collars on the ends of the shaft about every 20 hours. Clean all grease fittings before injecting grease and immediately replace any damaged or missing grease fittings. When using the safety chains supplied with the PTO shaft, the shield bearings must be kept lubricated.  
**NOTE:** There is no grease nipple on the spindles because they use sealed bearings.
3. Shielding: Always keep all shielding in place and repair or replace if damaged.
4. Blades: When replacing or grinding blades, all three blades must be replaced or reground at the same time to maintain the proper balance in the cutting unit. Block up the mower securely before attempting to remove the blades. Use heavy leather gloves to handle the blades. Be sure to tighten center bolt and lock washer securely when replacing blades. Use a torque wrench to re-tighten spindle bolts to 180 ft.-lbs. (244 N-m). The bolts have a patch of thread lock material pre-approved which will hold for up to five usages. Always replace the lock washer with the extra heavy duty washer supplied with the spindle.

5. Belts: Remove the belt guards to check belt tightness. The center of the belt span should deflect about 1/2" with nominal pressure. If the belts slip or are too loose, the bolts holding the gearbox must be loosened. Use the threaded tightener rod on the gearbox mount to tighten the belts. Lock the rod in place and re-tighten the gearbox bolts when the belts are properly tightened. Replace belt guards. Changing belts follows the same procedure as given in the preceding paragraph, except you will have to loosen the belts further to remove them. The belt installation is shown in the following drawing. **NOTE:** Belts should always be replaced in matched sets.



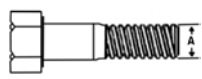



FM-61

6. Tires:
  - Maintain proper air pressure in tires.
  - 50 psi (345 kPa) max. for 4', 5', & 6' Finishing Mowers
  - 40 psi (276 kPa) max. for 7' Finishing Mowers

## Bolt Torque

### Checking Bolt Torque

The tables shown below give correct torque values for various bolts and hex bolts. Tighten all bolts to the torques specified in chart unless otherwise noted. Check tightness of bolts periodically, using bolt torque chart as a guide. Replace hardware with the same strength bolt.

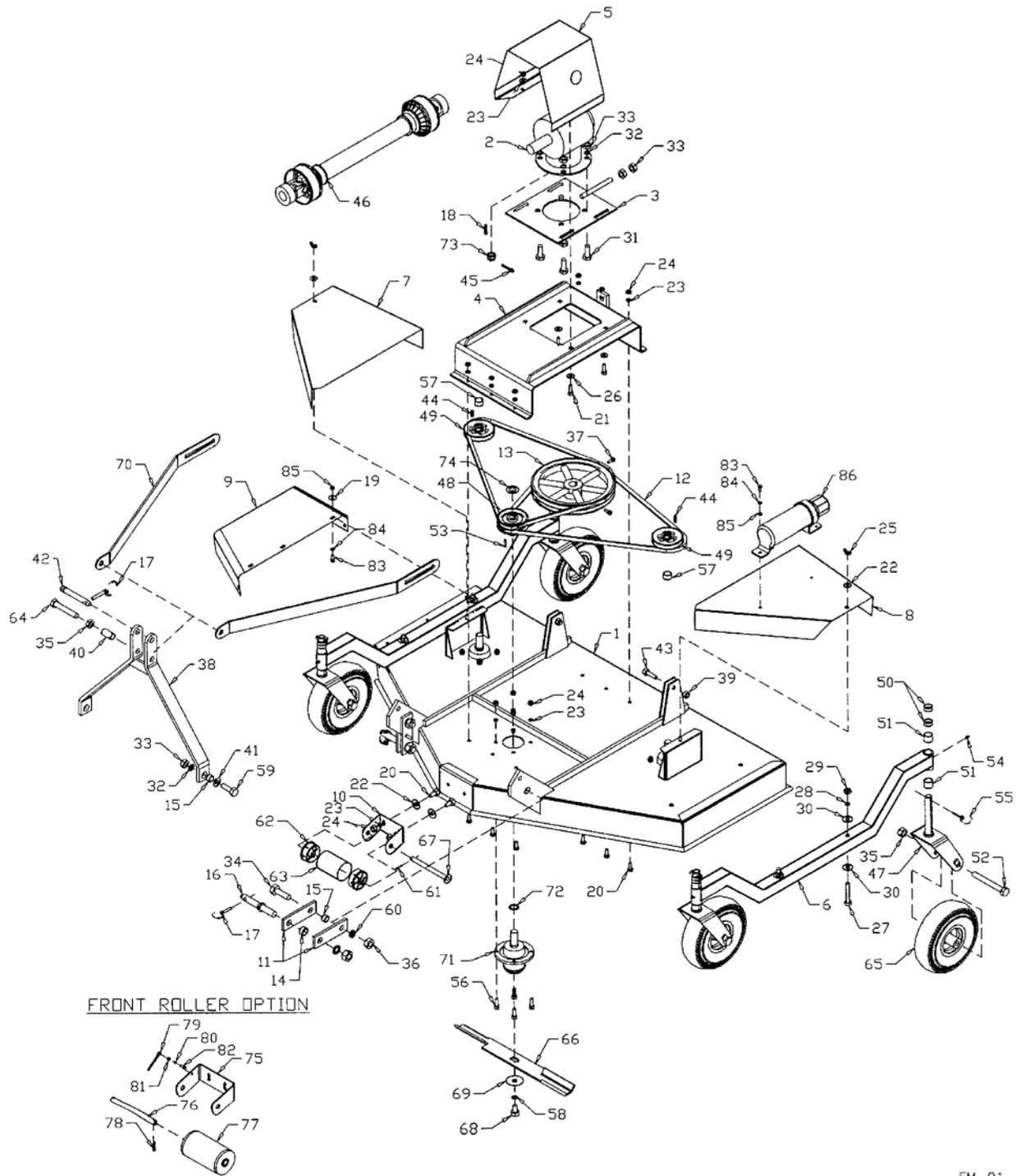
Bolt Torque*						
						
Bolt Diameter	Grade 2 Bolts		Grade 5 Bolts		Grade 8 Bolts	
(inches)	SAE 2		SAE 5		SAE 8	
"A"	(lb-ft)	(N.m)	(lb-ft)	(N.m)	(lb-ft)	(N.m)
0.25 (1/4)	6	8	9	12	12	17
0.313 (5/16)	10	13	19	25	27	36
0.375 (3/8)	20	27	33	45	45	63
0.438 (7/16)	30	42	53	72	75	100
0.5 (1/2)	45	61	80	110	115	155
0.563 (9/16)	70	95	115	155	165	220
0.625 (5/8)	95	128	160	215	220	305
.75 (3/4)	165	225	290	390	400	540
0.875 (7/8)	170	230	420	570	650	880
1	225	345	630	850	970	1320

**NOTE:** See page 15 for correct spindle torque. Do not use this chart for spindle bolt only.

Torque figures indicated above are valid for non-greased or non-oiled threads and heads unless otherwise specified. Therefore, do not grease or oil bolts or hex bolts unless otherwise specified in this manual. When using locking elements, increase torque values by 5%.

\* Torque value for bolts and hex bolts are identified by their head markings.

## Side Discharge Drawing



FM-01

## When Ordering Parts

Always give your dealer the Model, Color and Serial Number of your machine to assist him in ordering and obtaining the correct parts. Use the exploded view and tabular listing of the area of interest to exactly identify the required part.

Item	Part Number	Description
1	902663	4' Deck Weldment
	902664	5' Deck Weldment
	902665	6' Deck Weldment
2	912300158	Gearbox (Without Oil)
3	980004200	Gearbox Base Plate
4	906342	Gearbox Mount Plate (4')
	906343	Gearbox Mount Plate (5' & 6')
5	966748	PTO Guard
6	966762	47" Axle Beam Weldment (4')
	980008111	51" Axle Beam Weldment (5')
	966763	53" Axle Beam Weldment (6')
7	906346	Right Hand Pulley Guard (4')
	906353	Right Hand Pulley Guard (5')
	906355	Right Hand Pulley Guard (6')
8	906347	Left Hand Pulley Guard (4')
	906354	Left Hand Pulley Guard (5')
	906356	Left Hand Pulley Guard (6')
9	966749	Discharge Shield (4')
	966750	Discharge Shield (5')
	966751	Discharge Shield (6')
10	966724	Roller Mount Bracket 10ga x 3-3/4" x 13-7/16" (4' & 5')
	966182	Roller Mount Bracket 7ga x 4" x 16-3/16" (6')
11	966723	Lift Bracket
12	904250	B-61 Belt (4')
	904251	B-70 Belt (5')
	973506	B-78 Belt (6')
13	966722	12" Double Sheave complete with Set Screws
14	966601	Lift Pin Bushing 1-1/4" O.D. x 9/16" long
15	966727	Hitch Bushing 1" O.D. x 9/16" long
16	966823	Lift Pin complete with Nut & Washer (XL) (Cat. 1)
17	965911	7/16" Linch Pin (1493)
18	900929	Pulley Key 1/4" Square x 1-5/8" long
19	81570	5/16" B.S. Flat Washer (pl)
20	86170	3/8" x 1" Hex Bolt (pl)
21	86182	3/8" x 1-1/4" Carriage Bolt (pl)
22	84000	3/8" B.S. Flat Washer (pl)

Item	Part Number	Description
23	81593	3/8" Lock Washer (pl)
24	81592	3/8" Hex Nut (pl)
25	84217	3/8" Wing Nut (pl)
26	964001	1" x 7/16" I.D. x 10ga Flat Washer (pl)
27	81628	1/2" x 3 1/4" Hex Bolt (pl)
28	81637	1/2" Lock Washer (pl)
29	81636	1/2" Hex Nut (pl)
30	812769	1-1/2" O.D. x 9/16" I.D. x 10ga Washer (pl)
31	84270	5/8" x 1-3/4" Hex Bolt (pl)
32	81677	5/8" Lock Washer (pl)
33	81676	5/8" Hex Nut (pl)
34	84346	3/4" x 2-1/2" Hex Bolt (pl)
35	812365	3/4" Lock Nut (pl)
36	81700	3/4" Hex Nut (pl)
37	9812377	5/16" x 3/4" Square Head Set Screw (pl)
38	966758	Hitch Weldment
39	812364	1/2" Lock Nut (pl)
40	966810	Arm Spacer 1"OD x 1-13/16"
41	81678	5/8" BS Flat Washer Standard (pl)
42	965807	Top Link Pin (Category 1)
43	84277	1/2" x 1-1/2" Hex Bolt (pl)
44	900931	1/4" Square x 1.11" Key
45	81207	3/16" x 2" Cotter Pin
46	F0398	PTO Shaft (4')
	F0399	PTO Shaft (5' & 6')
47	966855	Wheel Yoke
48	904244	3-3/4" Double Sheave complete with Set Screws (4')
	904246	4-1/2" Double Sheave complete with Set Screws (5' & 6')
49	904243	3-3/4" Single Sheave complete with Set Screws (4')
	904245	4-1/2" Single Sheave complete with Set Screws (5' & 6')
50	966731	1/2" long x 1-5/16" O.D. Bushing (pl)
51	966730	1" long x 1-5/16" O.D. Bushing (pl)
52	902614	3/4" x 6" Wheel Bolt (pl)
53	900930	1/4" Square x 1-1/2" Key
54	967164	Pound-in Grease Nipple (pl)
55	966729	3/16" Linch Pin (pl)
56	811792	3/8" x 1-1/2" Hex Bolt (pl)
57	966811	Sheave Spacer 1-1/4" O.D. x .70" long
58	966190	5/8" Lock Washer (pl) Extra Heavy (Supplied with Spindle)
59	84299	5/8" x 2" Hex Bolt (pl)
60	81701	3/4" Lock Washer (pl)

Item	Part Number	Description
61	9812433	3/16" x 1-1/2" Cotter Pin (pl)
62	966721	Nylon Ends (4' & 5')
	966177	Nylon Ends (6')
63	966725	3" O.D. x 4" Roller Tube (4' & 5')
	966179	4" O.D. x 5 3/8" Roller Tube (6')
64	811790	3/4" x 4-1/2" Hex Bolt (pl)
65	966852	4.10/3.50-4 Tire with Wheel (4-1/2" Hub)
66	966737	17-3/4" Standard Blade (4')
	966719	21-3/4" Standard Blade (5')
	966738	25-3/4" Standard Blade (6')
67	966726	5/8" x 5-17/32" Roller Pin (4' & 5')
	966180	5/8" x 7-1/16" Roller Pin (6')
68	966189	5/8" x 1-1/4" Gr. 8 Hex Bolt Lock (Supplied with Spindle)
69	966188	2-1/2" O.D. x 21/32" I.D. Washer (Supplied with Spindle)
70	966759	Pivot Bar 1/4" x 2" x 37" long (4')
	966760	Pivot Bar 1/4" x 2" x 40" long (5')
	966761	Pivot Bar 1/4" x 2" x 46" long (6')
71	906339	Spindle with Hardware
72	912301558	1" Snap Ring
73	905247	1" Washer & Slotted Hex Nut Weldment Inc. with Gearbox
74	967140	Narrow Rim Washer 1" x 10ga (pl)
75	903488	Roller Holder 1/4" x 4-5/32" x 18-1/4"
76	903104	Roller Pin 3/4" Dia x 8-3/4" Long
77	903113	Roller Tube Assembly
78	9812434	1/4" x 1-1/2" Cotter Pin (pl)
79	9812436	1/4" x 2-1/2" Cotter Pin (pl)
80	81545	1/4" Lock Washer (pl)
81	81544	1/4" Hex Nut (pl)
82	81525	1/4" x 3/4" Hex Bolt (pl)
83	81549	5/16" x 3/4" Hex Bolt (pl)
84	81569	5/16" Lock Washer (pl)
85	81568	5/16" Hex Nut (pl)
86	909277	Manual Holder

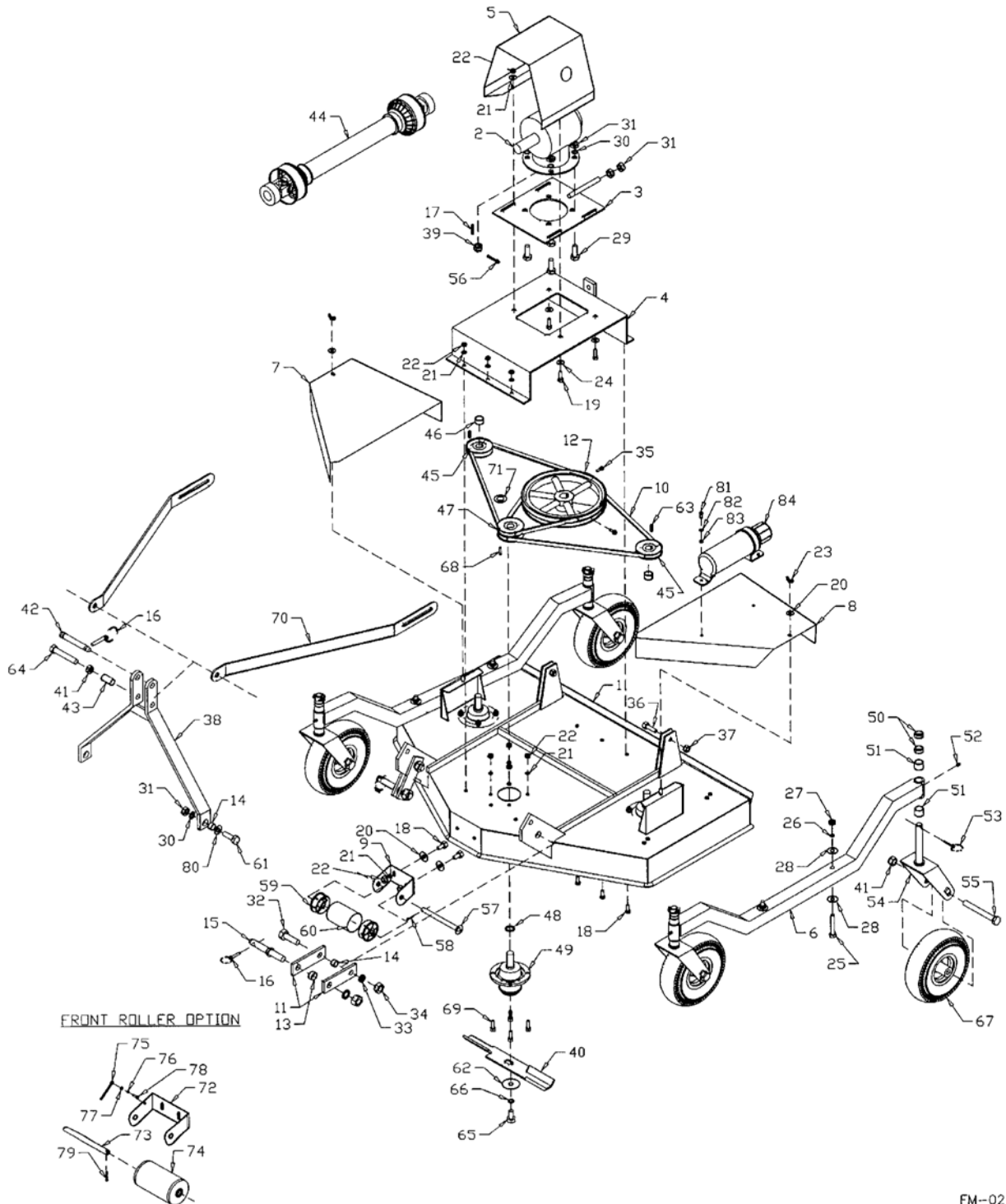


Item	Part Number	Description
1	903815	Deck Weldment (4')
2	912300158	Gearbox (Without Oil)
3	980004200	Gearbox Base Plate
4	906342	Gearbox Mount Plate
5	966748	PTO Guard
6	903804	53" Axle Beam Weldment
7	906346	Right Hand Pulley Guard
8	906347	Left Hand Pulley Guard
9	966724	Roller Holder 10ga x 3 3/4" x 13-7/16"
10	904250	B-61 Belts
11	966723	Lift Bracket
12	966722	12" Double Sheave complete with Set Screws
13	966601	Lift Pin Bushing (1-1/4" O.D. x 9/16" Long)
14	966727	Hitch Bushing (1" O.D. x 9/16" Long)
15	966823	Lift Pin complete with Nut & Washer (XL) (Cat. 1)
16	965911	7/16" Linch Pin (1493)
17	900929	Pulley Key (1/4" square x 1-5/8" Long)
18	86170	3/8" x 1" Hex Bolt (pl)
19	86182	3/8" x 1-1/4" Carriage Bolt (pl)
20	84000	3/8" B.S. Flat Washer (pl)
21	81593	3/8" Lock Washer (pl)
22	81592	3/8" Hex Nut (pl)
23	84217	3/8" Wing Nut (pl)
24	964001	1"O.D. x 7/16" I.D.x 10ga Flat Washer (pl)
25	81628	1/2" x 3 1/4" Hex Bolt (pl)
26	81637	1/2" Lock Washer (pl)
27	81636	1/2" Hex Nut (pl)
28	812769	1-1/2" O.D. x 9/16" I.D. x 10ga Washer (pl)
29	84270	5/8" x 1-3/4" Hex Bolt (pl)
30	81677	5/8" Lock Washer (pl)
31	81676	5/8" Hex Nut (pl)
32	84346	3/4" x 2-1/2" Hex Bolt (pl)
33	81701	3/4" Lock Washer (pl)
34	81700	3/4" Hex Nut (pl)
35	9812377	5/16" x 3/4" Square Head Set Screw (pl)
36	84277	1/2" x 1-1/2" Hex Bolt (pl)
37	812364	1/2" Lock Nut (pl)
38	966758	Hitch Weldment
39	905247	1" ID Washer & Slotted Hex Nut Weldment Included with Gearbox
40	966737	17-3/4" Standard Blade

Item	Part Number	Description
41	812365	3/4" Lock Nut (pl)
42	965807	Top Link Pin (Cat. 1)
43	966810	Arm Spacer 1"OD x 1-13/16"
44	F0398	PTO Shaft
45	904243	3-3/4" Single Sheave Assembly (machined end up)
46	966811	Sheave Spacer 1-1/4" O.D. x .70" Long
47	904244	3-3/4" Double Sheave complete with Set Screws
48	912301558	1" Snap Ring
49	906339	Spindle with Hardware
50	966731	1/2" long x 1-5/16" O.D. Bushing (pl)
51	966730	1" long x 1-5/16" O.D. Bushing (pl)
52	967164	Pound-in Grease Nipple
53	966729	3/16" Linch Pin (pl)
54	966855	Wheel Yoke
55	902614	3/4" x 6" Wheel Bolt (pl)
56	81207	3/16" x 2" Cotter Pin (br)
57	966726	5/8" x 5-17/32" Roller Pin
58	9812433	3/16" x 1-1/2" Cotter Pin (pl)
59	966721	Nylon End
60	966725	Roller Tube 3" O.D. x 4" Long
61	84299	5/8" x 2" Hex Bolt (pl)
62	966188	2-1/2" O.D. x 21/32" I.D. Washer (Supplied with Spindle)
63	900931	1/4" Square x 1.11" Key
64	811790	3/4" x 4-1/2" Hex Bolt (pl)
65	966189	5/8" x 1-1/4" Gr. 8 Hex Bolt Lock (Supplied with Spindle)
66	966190	5/8" Lock Washer (pl) Extra Heavy (Supplied with Spindle)
67	966852	4.10 x 3.50-4 Tire with Wheel
68	900930	1/4" x 1-1/2" Key
69	811792	3/8" x 1-1/2" Hex Bolt (pl)
70	966759	Pivot Bar 37" Long
71	967140	1" x 10ga Narrow Rim Washer (pl)
72	903488	Roller Holder 1/4" x 4-5/32" x 18-1/4" Long
73	903104	Roller Pin 3/4" Dia. x 8-3/4" Long
74	903113	Front Roller Assembly
75	9812436	1/4" x 2-1/2" Cotter Pin (pl)
76	81545	1/4" Lock Washer (pl)
77	81544	1/4" Hex Nut (pl)
78	81525	1/4" x 3/4" Hex Bolt (pl)
79	9812434	1/4" x 1-1/2" Cotter Pin (pl)
80	81678	5/8" BS Flat Washer Standard (pl)
81	81549	5/16" x 3/4" Hex Bolt (pl)

Item	Part Number	Description
82	81569	5/16" Lock Washer (pl)
83	81568	5/16" Hex Nut (pl)
84	909277	Manual Holder

## 5', 6' & 7' Rear Discharge Drawing



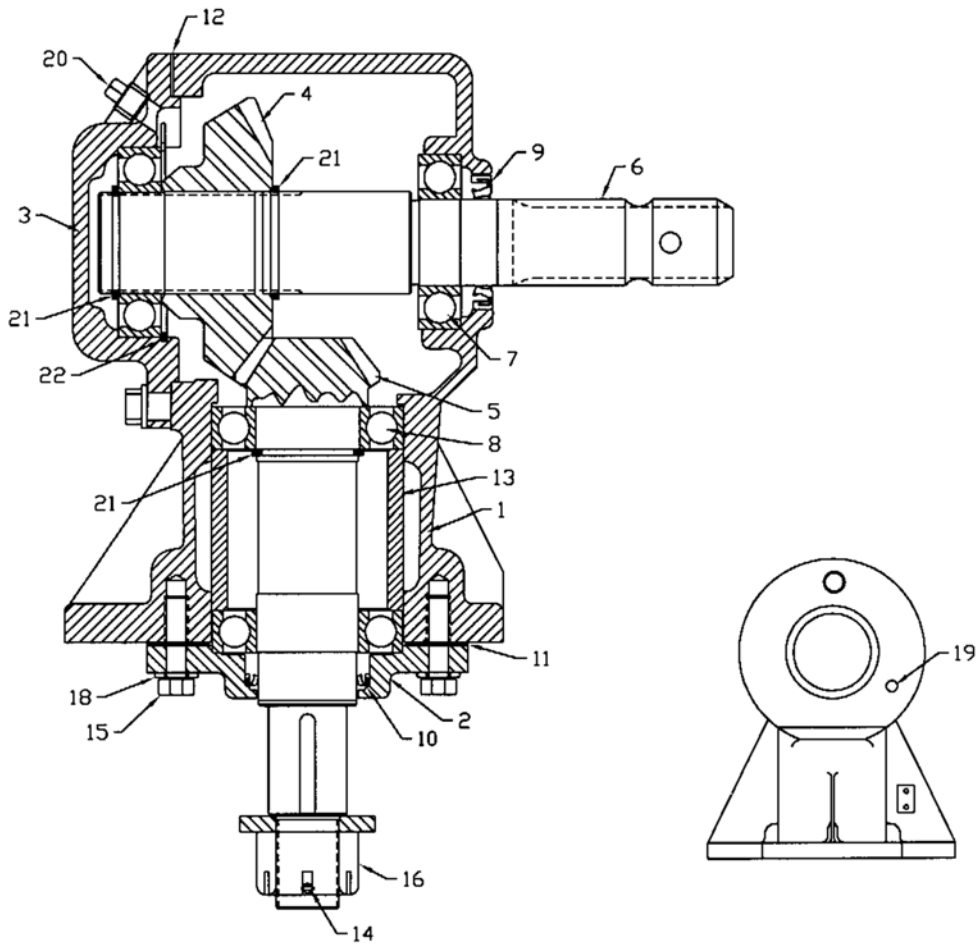
FM-02

Item	Part Number	Description
1	902667	Deck Weldment (5')
	902668	Deck Weldment (6')
	902669	Deck Weldment (7')
2	912300158	Gearbox (Without Oil)
3	980004200	Gearbox Base Plate
4	906343	Gearbox Mount Plate
5	966748	PTO Guard
6	966283	56-1/2" Axle Beam Weldment (5')
	966284	58-1/2" Axle Beam Weldment (6')
	966857	70" Axle Beam Weldment (7')
7	906353	Right Hand Pulley Guard (5')
	906355	Right Hand Pulley Guard (6')
	902269	Right Hand Pulley Guard (7')
8	906354	Left Hand Pulley Guard (5')
	906356	Left Hand Pulley Guard (6')
	902268	Left Hand Pulley Guard (7')
9	966724	Roller Holder 10ga x 3-3/4" x 13-7/16" (5')
	966182	Roller Holder 7ga x 4" x 16-3/16" (6' & 7')
10	904251	B-70 Belts (5')
	973506	B-78 Belts (6')
	973248	B-87 Belts (7')
11	966723	Lift Bracket
12	966722	12" Double Sheave complete with Set Screws
13	966601	Lift Pin Bushing (1-1/4" O.D. x 9/16" Long)
14	966727	Hitch Bushing (1" O.D. x 9/16" Long)
15	966823	Lift Pin complete with Nut & Washer (XL) (Cat. 1)
16	965911	7/16" Linch Pin (1493)
17	900929	Pulley Key (1/4" square x 1-5/8" Long)
18	86170	3/8" x 1" Hex Bolt (pl)
19	86182	3/8" x 1-1/4" Carriage Bolt (pl)
20	84000	3/8" B.S. Flat Washer (pl)
21	81593	3/8" Lock Washer (pl)
22	81592	3/8" Hex Nut (pl)
23	84217	3/8" Wing Nut (pl)
24	964001	1"OD x 7/16" I.D. x 10ga Flat Washer (pl)
25	81628	1/2" x 3-1/4" Hex Bolt (pl)
26	81637	1/2" Lock Washer (pl)
27	81636	1/2" Hex Nut (pl)
28	812769	1-1/2" O.D. x 9/16" I.D. x 10ga Washer (pl)
29	84270	5/8" x 1-3/4" Hex Bolt (pl)
30	81677	5/8" Lock Washer (pl)

Item	Part Number	Description
31	81676	5/8" Hex Nut (pl)
32	84346	3/4" x 2-1/2" Hex Bolt (pl)
33	81701	3/4" Lock Washer (pl)
34	81700	3/4" Hex Nut (pl)
35	9812377	5/16" x 3/4" Square Head Set Screw (pl)
36	84277	1/2" x 1-1/2" Hex Bolt (pl)
37	812364	1/2" Lock Nut (pl)
38	966758	Hitch Weldment
39	905247	1" ID Washer & Slotted Hex Nut Weldment Included with Gearbox
40	966719	21-3/4" Standard Blade (5')
	966738	25-3/4" Standard Blade (6')
	966167	29-3/4" Hard Surfaced Blade (7')
41	812365	3/4" Lock Nut (pl)
42	965807	Top Link Pin (Cat. 1)
43	966810	Arm Spacer 1" OD x 1-13/16" (5' & 6')
	966287	Arm Spacer 1" OD x 1-9/16" (7')
44	F0399	PTO Shaft (5' & 6')
	F0400	PTO Shaft (7')
45	904245	4-1/2" Single Sheave Assembly (machined end up) (5' & 6')
	904247	5-1/4" Single Sheave Assembly (machined end up) (7')
46	966811	Sheave Spacer 1 1/4" O.D. x .70" Long
47	904246	4-1/2" Double Sheave complete with Set Screws (5' & 6')
	904248	5-1/4" Double Sheave complete with Set Screws (7')
48	912301558	1" Snap Ring
49	906339	Spindle with Hardware (5' & 6')
	966860	Spindle with Hardware (7')
50	966731	1/2" Long x 1-5/16" O.D. Bushing (pl)
51	966730	1" Long x 1-5/16" O.D. Bushing (pl)
52	967164	Pound-in Grease Nipple
53	966729	3/16" Linch Pin (pl)
54	966855	Wheel Yoke (5' & 6')
	966856	Wheel Yoke (7')
55	902614	3/4" x 6" Wheel Bolt (pl) (5' & 6')
	902615	3/4" x 7" Wheel Bolt (pl) (7')
56	81207	3/16" x 2" Cotter Pin (br)
57	966726	5/8" x 5-17/32" Roller Pin (5')
	966180	5/8" x 7-1/16" Roller Pin (6' & 7')
58	9812433	3/16" x 1-1/2" Cotter Pin (pl)
59	966721	Nylon End (5')
	966177	Nylon End (6' & 7')

Item	Part Number	Description
60	966725	Roller Tube 3" O.D. x 4" Long (5')
	966179	Roller Tube 4" O.D. x 5 3/8" Long (6' & 7')
61	84299	5/8" x 2" Hex Bolt (pl)
62	966188	2-1/2" O.D. x 21/32" I.D. Washer (Supplied with Spindle)
63	900931	1/4" Square x 1.11" Key
64	811790	3/4" x 4 1/2" Hex Bolt (pl)
65	966189	5/8" x 1-1/4" Grade 8 Hex Bolt Lock (Supplied with Spindle)
66	966190	5/8" Lock Washer (pl) Extra Heavy (Supplied with Spindle)
67	966852	4.10 x 3.50-4 Tire with Wheel (5' & 6')
	966851	13/500 x 6" Tire with Wheel (7')
68	900930	1/4" x 1-1/2" Key
69	811792	3/8" x 1-1/2" Hex Bolt (pl)
70	966760	Pivot Bar 40" Long (5')
	966761	Pivot Bar 46" Long (6')
	966282	Pivot Bar 51" Long (7')
71	967140	1" x 10ga Narrow Rim Washer (pl)
72	903488	Roller Holder 1/4" x 4-5/32" x 18-1/4" Long
73	903104	Roller Pin 3/4" Dia. x 8-3/4" Long
74	903113	Front Roller Assembly
75	9812436	1/4" x 2-1/2" Cotter Pin (pl)
76	81545	1/4" Lock Washer (pl)
77	81544	1/4" Hex Nut (pl)
78	81525	1/4" x 3/4" Hex Bolt (pl)
79	9812434	1/4" x 1-1/2" Cotter Pin (pl)
80	81678	5/8" BS Flat Washer Standard (pl)
81	81549	5/16" x 3/4" Hex Bolt (pl)
82	81569	5/16" Lock Washer (pl)
83	81568	5/16" Hex Nut (pl)
84	909277	Manual Holder

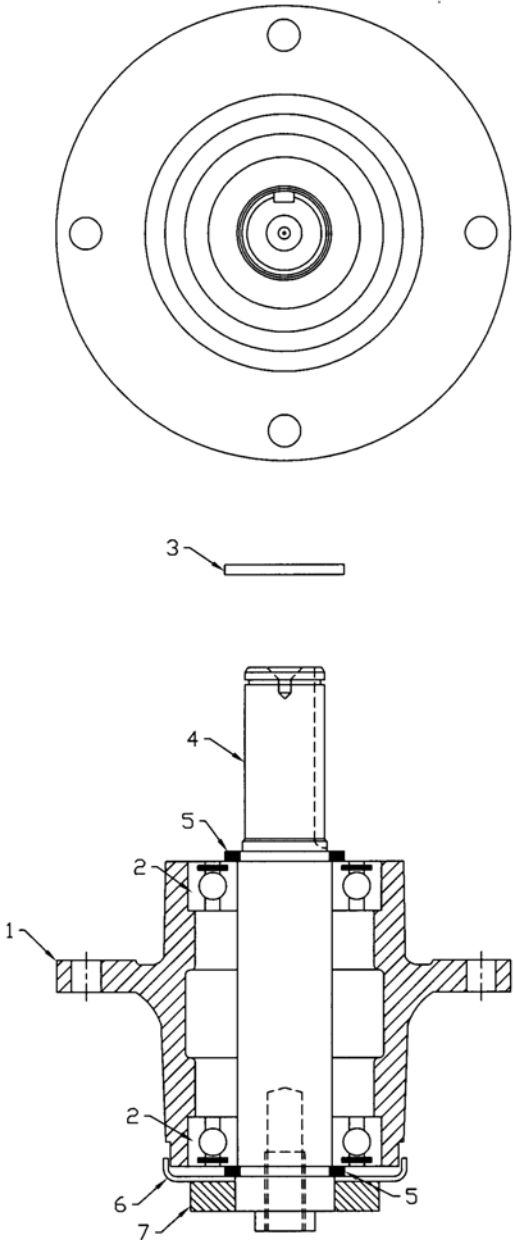
Gearbox Drawing



912300158

Item	Part Number	Description
	912300158	Gearbox Complete
1	966813	Housing
2	914015	Output Cap
3	966814	Blank Cap
4	966815	Input Gear, 29T
5	966816	Pinion Gear, 15T
6	966817	Input Shaft
7	966542	Ball Bearing, 6207
8	966555	Ball Bearing, 6208
9	966818	Input Seal
10	966819	Output Seal
11	914019	Output Gasket
12	914007	Input Gasket
13	914001	Spacer
14	966562	Cotter Pin
15	86171	3/8" x 1-1/4" Hex Bolt
16	905247	1" NF Hex Nut with Washer
18	81593	3/8" Lock Washer
19	914016	1/8" Sq. Hd. Solid Plug
20	966193	1/4" Vented Plug
21	914008	Retaining Ring
22	914003	Retaining Ring

Spindle Assembly Drawing



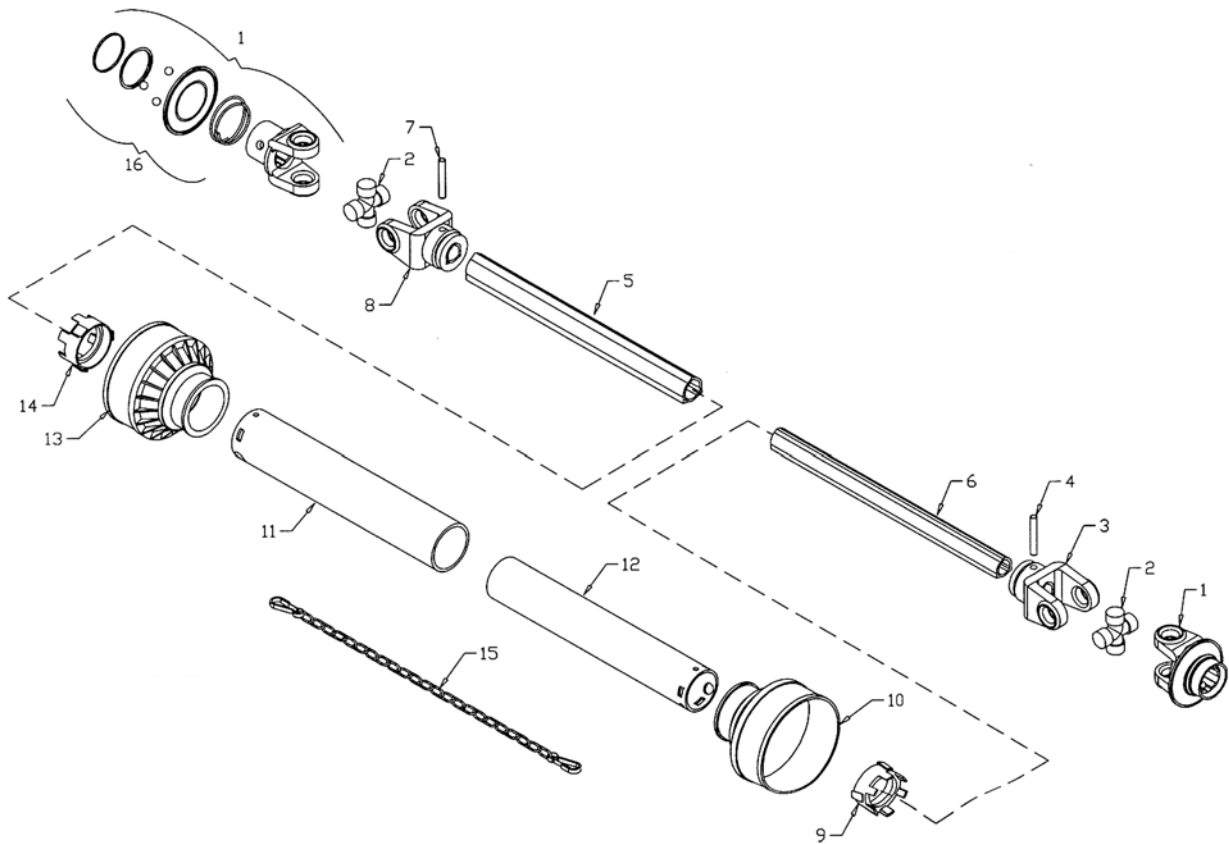
FM-63

Item	Part Number	Description
------	-------------	-------------

Spindle Parts List (4', 5', & 6' Side & Rear)		
	906339	Spindle Assembly Complete (Includes Hardware)
1	966764	Spindle Housing
2	906399	Spindle Bearing, 6206-Z
3	912301558	Snap Ring
4	906394	Spindle Shaft
5	966769	Snap Ring
6	966820	Shield
7	966821	Blade Mount Base

Spindle Parts List (7' Rear)(All Size Heavy Duty & Triplex)		
	966860	Spindle Assembly Complete (Includes Hardware)
1	966862	Spindle Housing
2	966863	Spindle Bearing (63067)
3	912301558	Snap Ring
4	906394	Spindle Shaft
5	966769	Snap Ring
6	966865	Shield
7	966821	Blade Mount Base

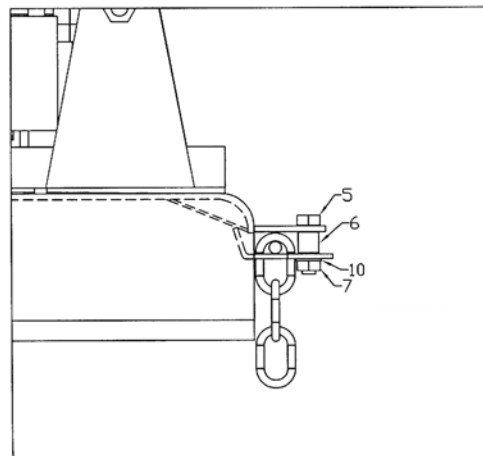
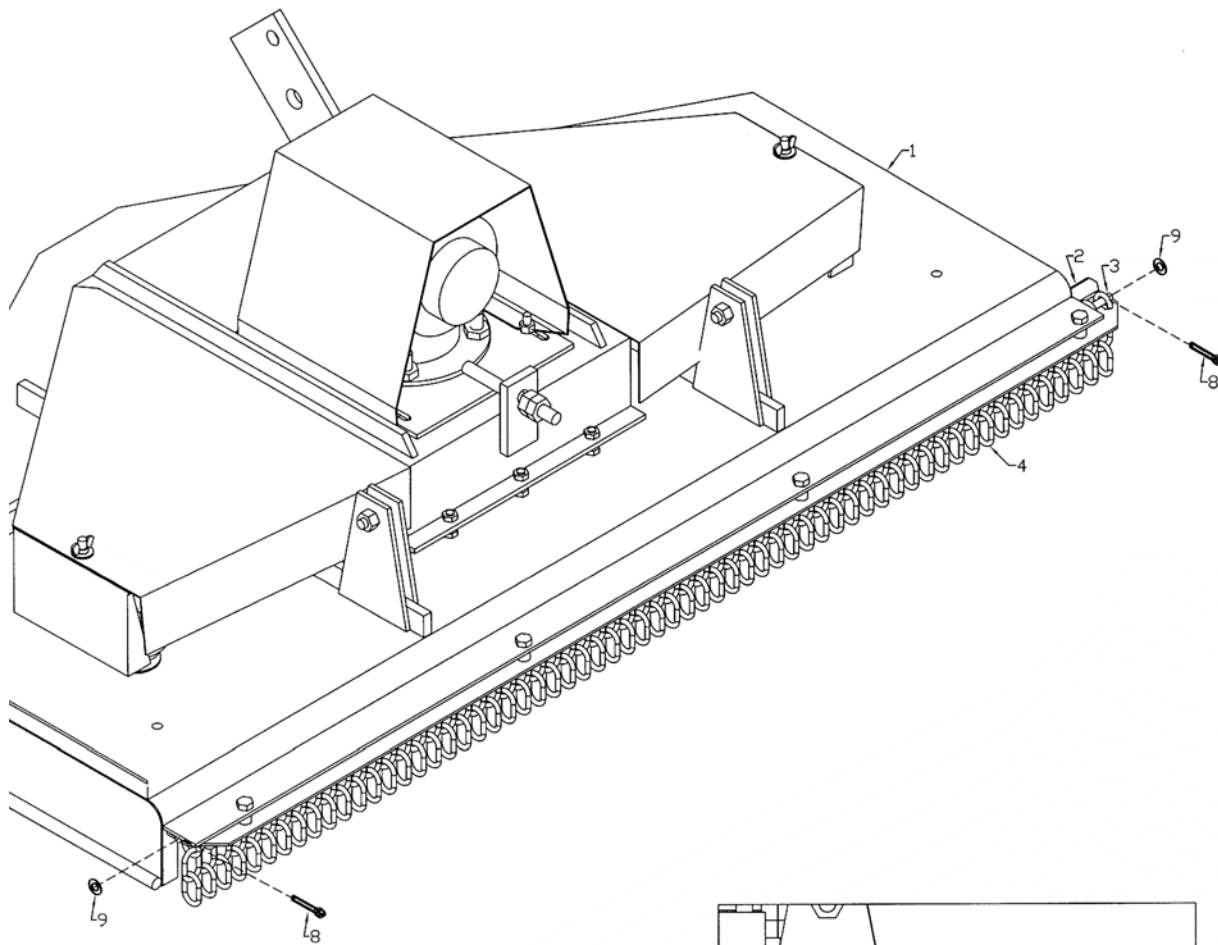
PTO Shaft Drawing (Standard & Optional Heavy Duty)



FM-44

Item	Part Number	Description
	F0398	Shaft Complete - 4'
	F0399	Shaft Complete - 5' & 6'
	F0400	Shaft Complete - 7'
	F0401	Shaft Complete - Optional Heavy Duty for 5' & 6'
1	907288	Yoke - 4',5' & 6'
	907290	Yoke - 7' & Heavy Duty
2	930-106	Repair Kit - 4', 5' & 6'
	920-002	Repair Kit - 7' & Heavy Duty
3	930-105	Outer Tube Yoke - 4', 5' & 6'
	920-004	Outer Tube Yoke - 7' & Heavy Duty
4	930-109	Flexible Pin - 4', 5' & 6'
	936351	Flexible Pin - 7' & Heavy Duty
5	936298	Outer Cardan Tube - 4'
	930-108	Outer Cardan Tube - 5' & 6'
	936403	Outer Cardan Tube - 7'
	936404	Outer Cardan Tube - Heavy Duty
6	936299	Inner Cardan Tube - 4'
	930-107	Inner Cardan Tube - 5' & 6'
	936405	Inner Cardan Tube - 7'
	936406	Inner Cardan Tube - Heavy Duty
7	930-104	Flexible Pin - 4'
	930-109	Flexible Pin - 7' & Heavy Duty
8	930-115	Inner Tube Yoke - 4', 5' & 6'
	920-003	Inner Tube Yoke - 7' & Heavy Duty
9	930-110	Outer Shield Retainer - 4', 5', & 6'
	920-013	Outer Bearing - 7' & Heavy Duty
10	936300	Outer Cone Set - 4', 5' & 6'
11	936301	Outer Shield - 4'
	936302	Outer Shield - 5' & 6'
	936407	Outer Safety Tube - 7'
	936408	Outer Safety Tube - Heavy Duty
12	936303	Inner Shield - 4'
	936304	Inner Shield - 5' & 6'
	936409	Inner Safety Tube - 7'
	936410	Inner Safety Tube - Heavy Duty
13	936305	Inner Cone Set - 4', 5', 6', 7' & Heavy Duty
14	930-113	Inner Shield Collar - 4', 5' & 6'
	920-015	Inner Shield Bearing - 7' & Heavy Duty
15	936402	Safety Chain - All
16	908244	Ball Collar Kit - All

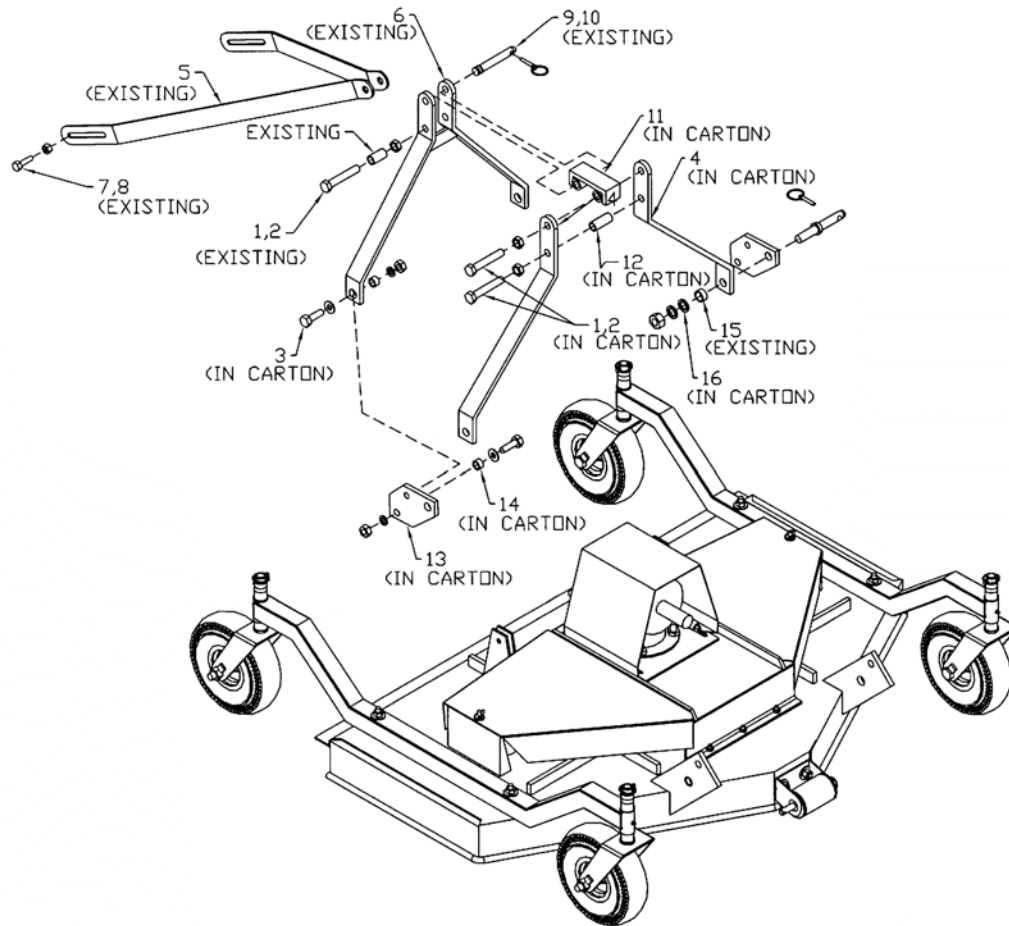
Chain Kit Assembly Drawing



FM-43

Item	Part Number	Description
1	903815	4' Deck Weldment
	902667	5' Deck Weldment
	902668	6' Deck Weldment
	902669	7' Deck Weldment
2	905166	50-1/4" Chain Guard Plate (4')
	902820	62-1/4" Chain Guard Plate (5')
	902823	74-1/4" Chain Guard Plate (6')
	902825	86-1/4" Chain Guard Plate (7')
3	905167	50-3/8" Long Chain Kit Rod (4')
	902827	62-3/8" Long Chain Kit Rod (5')
	902828	74-3/8" Long Chain Kit Rod (6')
	902829	86-3/8" Long Chain Kit Rod (7')
4	967907	1/4" x 3 Link Chain (pl)
5	811792	3/8" x 1-1/2" Hex Bolt (pl)
6	902821	Spacer 5/8" OD x 12Ga x 5/8" Long
7	81592	3/8" Hex Nut (pl)
8	9812430	1/8" x 1" Cotter Pin (pl)
9	84039	3/8" SAE Washer (pl)
10	81593	3/8" Lock Washer (pl)

## Quick Hitch Kit Drawing



Item	Part Number	Description	Quantity
1	811790	3/4" x 4-1/2" Hex Bolt (pl)	3
2	812365	3/4" Lock Nut (pl)	3
3	84335	5/8" x 2-1/2" Hex Bolt (pl)	2
4	909242	Hitch Arm 1/2" x 2" x 24-3/4" Long	2
5	966759	Pivot Bar 1/4" x 2" x 37" (4')	2
	966760	Pivot Bar 1/4" x 2" x 40" (4')	2
	966761	Pivot Bar 1/4" x 2" x 46" (4')	2
	966282	Pivot Bar 3/8" x 2" x 51" (4')	2
6	966758	Hitch Weldment	1
7	84277	1/2" x 1-1/2" Hex Bolt (pl)	2
8	812364	1/2" Lock Nut (pl)	2
9	965807	Top Link Pin (Cat. 1)	1
10	965911	7/16" Linch Pin	3
11	909243	Adapter Weldment	1
12	909239	1"ø x 2-3/8" Spacer	1
13	909237	Adapter Plate 1/2" x 4-1/2" x 6-1/2"	2
14	909241	1"ø x 7/16" Spacer	2
15	966601	1-1/4" x 9/16" Spacer	2
16	81972	7/8" Flat Washer (pl)	2

## Shipping Kit and Bundle Numbers

The following is a list of Kit Numbers for this product and the Bundle Numbers, Descriptions, and Quantities for each Kit.

Quantity	Bundle Number	Description
<b>Y450S - 48" Side Discharge</b>		
1	F0681	Mower
1	F6568	Carton with Tires
<b>Y550S - 60" Side Discharge</b>		
1	F0683	Mower
1	F6568	Carton with Tires
<b>Y650S - 72" Side Discharge</b>		
1	F0685	Mower
1	F6568	Carton with Tires
<b>Y450R - 48" Rear Discharge</b>		
1	F0682	Mower
1	F6568	Carton with Tires
<b>Y450R - 60" Rear Discharge</b>		
1	F0684	Mower
1	F6568	Carton with Tires
<b>Y450R - 72" Rear Discharge</b>		
1	F0686	Mower
1	F6568	Carton with Tires
<b>Y450R - 84" Rear Discharge</b>		
1	F0687	Mower
1	F6569	Carton with Tires

## Optional Bundle Numbers

The following is a list of options available for the Kits listed above.

Quantity	Bundle Number	Description
1	F0401	Heavy Duty PTO Shaft (5' & 6')
1	903798	Hard Surfaced Blade (4')
1	966273	Hard Surfaced Blade (5')
1	966274	Hard Surfaced Blade (6')
1	906050	Low Lift Hard Surfaced Blade (4')
1	906051	Low Lift Hard Surfaced Blade (5')
1	906052	Low Lift Hard Surfaced Blade (6')
1	906053	Low Lift Hard Surfaced Blade (7')
1	F6589	Solid Rubber Tires (4', 5' & 6')
1	F9459	UHMW High Density Poly Roller Assembly
1	Y410	Chain Kit (4')
1	Y510	Chain Kit (5')
1	Y610	Chain Kit (6')
1	Y710	Chain Kit (7')
1	Y730	Quick Hitch Adaptor Kit (all sizes)
1	Y0840	Solid Rubber Tires (set of 4)

## Farm King Limited Warranty

This document limits your warranty rights.

### **Base Limited Warranty**

Buhler Industries Inc. provides this warranty only to original retail purchasers of its product. Buhler Industries Inc. warrants to such purchasers that all Buhler Industries Inc. manufactured parts and components used and serviced as provided for in the Operator's Manual shall be free from defects in materials and workmanship for a period following delivery to the original retail purchaser of 12 months (80 days for commercial applications). This limited warranty applies only to those parts and components manufactured by Buhler Industries Inc. Parts and components manufactured by others are subject to their manufacturer's warranties, if any.

Buhler Industries Inc. will fulfill this limited warranty by, at its option, repairing or replacing any covered part that is defective or is the result of improper workmanship, provided that the part is returned to Buhler Industries Inc. within thirty (30) days of the date that such defect or improper workmanship is, or should have been, discovered. Buhler Industries Inc. reserves the right to either inspect the product at the buyer's location or have it returned to the factory for inspection. Parts must be returned through the selling representative and the buyer must prepay transportation charges.

Buhler Industries Inc. will not be responsible for repairs or replacements that are necessitated, in whole or part, by the use of parts not manufactured by or obtained from Buhler Industries Inc. Under no circumstances are component parts warranted against normal wear and tear. There is no warranty on product pump seals, product pump bearings, rubber product hoses, pressure gauges, or other components that require replacement as part of normal maintenance. Also: Buckets and Bucket Tines carry no warranty, Bent Spears carry no warranty, Snowblower Fan Shafts carry no warranty, Mower Blades carry no warranty, Portable Auger Parts Have Two (2) Year Warranty, Loader Parts Have Two (2) Year Warranty. The purchaser is solely responsible for determining suitability of goods sold. This warranty is expressly in lieu of all other warranties expressed or implied. Buhler Industries Inc. will in no event be liable for any incidental or consequential damages whatsoever. Nor for any sum in excess of the price received for the goods for which liability is claimed.

### **Repair Parts Limited Warranty**

Buhler Industries Inc. warrants Farm King replacement parts purchased after the expiration of the Buhler Industries Inc. Limited Warranty, and used and serviced as provided for in the Operator's Manual, to be free from defects in materials or workmanship for a period of thirty (30) days from the invoice date for the parts. Buhler Industries Inc. will fulfill this limited warranty by, at its option, repairing or replacing any covered part that is defective or is the result of improper workmanship, provided that the part is returned to Buhler Industries Inc. within thirty (30) days of the date that such defect or improper workmanship is, or should have been, discovered. Such parts must be shipped to Buhler Industries Inc. at the purchaser's expense.

### **What is Not Covered**

Under no circumstances does this limited warranty cover any components or parts that have been subject to the following: negligence; alteration or modification not approved by Buhler Industries Inc.; misuse; improper storage; lack of reasonable and proper maintenance, service, or repair; normal wear; damage from failure to follow operating instructions; accident; and/or repairs that have been made with parts other than those manufactured, supplied, and or authorized by Buhler Industries Inc.

**Authorized Dealer and Labor Costs**

Repairs eligible for labor under this limited warranty must be made by Buhler Industries Inc. or an authorized Farm King dealer. Buhler Industries Inc. retains the exclusive discretion to determine whether it will pay labor costs for warranty repairs or replacements, and the amount of such costs that it will pay and the time in which the repairs will be made. If Buhler Industries Inc. determines that it will pay labor costs for warranty work, it will do so by issuing a credit to the dealer's or distributor's account. Buhler Industries Inc. will not approve or pay invoices sent for repairs that Buhler Industries Inc. has not previously approved. Warranty service does not extend the original term of this limited warranty.

**Warranty Requirements**

To be covered by warranty, each Farm King new product must be registered with Buhler Industries Inc. within thirty (30) days of delivery to original retail purchaser. If the customer decides to purchase replacement components before the warranty disposition of such components is determined, Buhler Industries Inc. will bill the customer for such components and then credit the replacement invoice for those components later determined to be covered by this limited warranty. Any such replacement components that are determined not be covered by this limited warranty will be subject to the terms of the invoice and shall be paid for by the purchaser.

**Warranty Claims:**

Warranty requests must be prepared on Buhler Industries Inc. Warranty Claim Forms with all requested information properly completed. Warranty Claims must be submitted within a thirty (30) day period from date of failure repair.

**Warranty Labor:**

Any labor subject to warranty must be authorized by Buhler Industries Inc. The labor rate for replacing defective parts, where applicable, will be credited at 100% of the dealer's posted shop rate. Defective parts will receive an extra 10% discount to assist with freight or other incidental costs.

**Exclusive Effect of Warranty and Limitation of Liability**

TO THE EXTENT PERMITTED BY LAW, BUHLER INDUSTRIES INC. DISCLAIMS ANY WARRANTIES, REPRESENTATIONS, OR PROMISES, EXPRESS OR IMPLIED, AS TO THE QUALITY, PERFORMANCE, OR FREEDOM FROM DEFECT OF THE COMPONENTS AND PARTS COVERED BY THIS WARRANTY AND NOT SPECIFICALLY PROVIDED FOR HEREIN.

TO THE EXTENT PERMITTED BY LAW, BUHLER INDUSTRIES INC. DISCLAIMS ANY IMPLIED WARRANTIES OF MERCHANTABILITY AND FITNESS FOR A PARTICULAR PURPOSE ON ITS PRODUCTS COVERED HEREIN, AND DISCLAIMS ANY RELIANCE BY THE PURCHASER ON BUHLER INDUSTRIES INC.'S SKILL OR JUDGMENT TO SELECT OR FURNISH GOODS FOR ANY PARTICULAR PURPOSE. THE PURCHASER'S ONLY AND EXCLUSIVE REMEDIES IN CONNECTION WITH THE BREACH OR PERFORMANCE OF ANY WARRANTY ON PRODUCTS MANUFACTURED BY BUHLER INDUSTRIES INC. ARE THOSE SET FORTH HEREIN. IN NO EVENT SHALL BUHLER INDUSTRIES INC. BE LIABLE FOR INCIDENTAL OR CONSEQUENTIAL DAMAGES (INCLUDING, BY WAY OF EXAMPLE ONLY AND NOT LIMITATION, LOSS OF CROPS, LOSS OF PROFITS OR REVENUE, OTHER COMMERCIAL LOSSES, INCONVENIENCE, OR COST OF REPLACEMENT OF RENTAL EQUIPMENT). IN NO EVENT SHALL FARM KING'S CONTRACT OR WARRANTY LIABILITY EXCEED THE PURCHASE PRICE OF THE PRODUCT.

(Note that some provinces or states do not allow limitations on how long an implied warranty lasts or the exclusion or limitation of incidental or consequential damages, so the above limitations and exclusion may not apply to you.) This warranty gives you specific legal rights and you may also have other rights, which vary from province to province or state to state.

Buhler Industries Inc. neither assumes nor authorizes any person or entity, including its selling representatives, to assume any other obligations or liability in connections with the sale of covered equipment, or to make any other warranties, representations, or promises, express or implied, as to the quality, performance, or freedom from defect of the components and parts covered herein. No one is authorized to alter, modify, or enlarge this limited warranty, or its exclusions, limitations and reservations.

Corrections of defects and improper workmanship in the manner, and for the applicable time periods, provided for herein shall constitute fulfillment of all responsibilities of Buhler Industries Inc. to the purchaser, and Buhler Industries Inc. shall not be liable in negligence, contract, or on any other basis with respect to the subject equipment.

This limited warranty is subject to any existing conditions of supply which may directly affect Buhler Industries Inc.'s ability to obtain materials or manufacture replacement parts.

Buhler Industries Inc. reserves the right to make improvements in design or changes in specifications to its products at anytime, without incurring any obligation to owners of units previously sold.

**Government Legislation:**

Warranty terms and conditions are subject to provincial or state legislation.

**Important Note:** This warranty does not apply to rentals.



[www.farm-king.com](http://www.farm-king.com)

# Farm King

1330 43rd Street NW  
Fargo, ND USA 58102  
Ph.: 701.282.7014 | Fax: 701.282.5865  
Toll Free: 888.524.1004  
E-mail: [info@buhler.com](mailto:info@buhler.com)  
[www.farm-king.com](http://www.farm-king.com)

Equipment shown is subject to change without notice.  
©2010 Buhler Trading Inc. Printed in USA. TSX:BUI

**bühler** | a division of Buhler Industries Inc.